



## THE ECO TRELLIS® ADVANTAGE

- ▶ Meticulous research and testing, followed by a comprehensive product-development process in the vineyard.
- ▶ Environmentally friendly, free of contaminants (thereby eliminating potential ground leaching) and reflecting sustainable and organic winegrowing philosophies.
- ▶ Made from high-strength galvanised carbon steel coated with a thick layer of zinc, ensuring high durability against corrosion – posts are welded longitudinally to provide additional strength to counter the pressures of mechanical pruning and harvesting.
- ▶ Fully recyclable, with a life expectancy of 15 to 20 years plus, after which posts can be replaced and the discards returned for recycling.
- ▶ Simple installation with the flexibility of variable clip height; round profiles allowing easy post orientation; and manual attachment of wire clips.
- ▶ High density ultra UV resistant nylon clips.
- ▶ Lightweight and safe through use of posts with rolled ends, making end caps unnecessary.
- ▶ Guarantee against any material or manufacturing fault.
- ▶ 2 ½ "dia x 18 g – standard 8 foot posts – alternate lengths also available.

“ECO TRELLIS® is a very good product and looks far superior to any other steel post that I have seen in Australia. They certainly offer significant advantages over wooden posts in our part of the world. I will be using them exclusively from now on in my own vineyard.”

**James Thorpe** VITICULTURE MANAGER  
Nova Vita Wines, Adelaide Hills, South Australia

“ECO TRELLIS® stands behind its product. The team visited our vineyard many times to test modifications to posts and clips and kept testing until everything was working perfectly. We are very happy with the ECO TRELLIS® system.”

**Jonathan Hamlet**, VITICULTURIST  
Villa Maria, Hawke's Bay, NZ



Photo credit: Villa Maria, Hawke's Bay, NZ



Photo Credit: Felton Road, Central Otago, NZ



# ECO TRELLIS® THE SUSTAINABLE STORY



**MINING OF IRON SAND**



**STEEL MAKING**



**PROCESSED STEEL**



**MANUFACTURING**



**FINAL PRODUCT**



“ We have run trials with ECO TRELLIS® to identify the best steel vineyard posts as they suit our narrow vineyard rows. We prefer a narrow canopy to allow greater light exposure and air movement amongst the grapes and vine canopy. The narrow vineyard layout also provides a higher vine density, which in turn produces enhanced fruit intensity in the grapes. The ECO TRELLIS® team has been very helpful in adapting the steel posts to our needs. Nothing has been a problem. We recently planted our new vineyards using ECO TRELLIS®.”

**Gus Struthers** GENERAL MANAGER  
*Indevin and Bankhouse Wines, Marlborough*

*Photo credit: Indevin Bankhouse, Marlborough, NZ*



AVAILABLE FROM THE EXCLUSIVE NORTH & SOUTH AMERICAN DISTRIBUTOR

3500 Buck Owens Blvd., Bakersfield, CA 93308

PH 661.616.6977 | www.jscagsupply.com



ecotrellis.com



*et*  
**ECO TRELLIS®**  
HORTICULTURAL SOLUTIONS



**A REVOLUTIONARY  
NEW TRELLISING SYSTEM  
FROM NEW ZEALAND**

ECO TRELLIS® offers a complete vineyard trellising solution.



[ecotrellis.com](http://ecotrellis.com)



## ABOUT ECO TRELLIS®

ECO TRELLIS® offers a complete vineyard trellising solution using posts, clips and strainers as relevant to site location. It's the perfect system for both new vineyard developments and the replacement of damaged wooden posts.

Part of an extensive range of stainless steel and carbon steel products manufactured by the privately owned, Wellington-based company NZ Tube Mills, ECO TRELLIS® is increasingly sought out by both the horticulture and viticulture industries.

“ So many companies have tried in the last decade, but only ECO TRELLIS® has been prepared to make the investment in product development and testing to get the product right.”

Marcus Wickham

VITICULTURIST AND KLIMA DIRECTOR *Marlborough, NZ*



## ECO TRELLIS® BUSINESS PARTNERS



ECO TRELLIS® is manufactured from high-tensile, sustainable, galvanised steel, produced at **NZ Steel's** Glenbrook plant in South Auckland.



Designed in Waipara and Marlborough, the **KLIMA** machine-pruning system allows quality mechanical pruning at a fraction of the price and effort. ECO TRELLIS® is working closely with **KLIMA** to ensure its steel posts and clips are compatible for use with this system.

*Photo Credit: Felton Road, Central Otago, NZ*

## ECO TRELLIS® PRODUCT DEVELOPMENT

Since 2009, NZ Tube Mills product development engineers have worked closely with winegrowers and viticulturists to develop ECO TRELLIS® steel posts and clips. Their research involved intensive testing of steel posts used in New Zealand vineyards to analyse success and failure rates in extreme weather conditions and thus determine a safety range for the ECO TRELLIS® post design.

### Research and testing covered:

- ▶ Strength in high winds
- ▶ Load-bearing capacity for full canopies

- ▶ Ability to withstand machine-harvesting and pruning – unlike wood, the steel post can flex and maintain its strength
- ▶ Ease of installation and ongoing maintenance
- ▶ Development of a patented footing at the base of the intermediate posts to provide up to four times more retention than alternative systems

“ The combination of using KLIMA and ECO TRELLIS® innovations is the most technologically advanced thing to have happened to our business.

We have been able to make amazing savings on the labor costs of running our vineyards. ECO TRELLIS® also fits well with our approach to organic winegrowing. ”

James Aubrey VITICULTURIST *JANZ Yalumba, Tasmania*





# BENEFITS OF ECO TRELLIS® VERSUS THE T-POST AND LINE STAKE SYSTEMS

- ▶ The traditional VSP systems most often used in the United States do not allow for mechanical pruning.
- ▶ Those systems require more posts per acre than the ECO TRELLIS® system.
- ▶ This means that ECO TRELLIS® offers significant savings when a vineyard is first planted.



TRADITIONAL **LINE STAKE** SYSTEM



TRADITIONAL **T-POST** STEEL SYSTEM

## Patented Clips

High-strength nylon clips are subjected to stringent laboratory testing to ensure superior overall quality. Simple to insert by hand, they also work well with automated vine-stripping applications. The clips are also available in different colours to aid wire positioning.



Rotalock  
Dual Hook



Rotalock  
Permanent Wire Clip



Rotalock  
Self-Releasing KLIMA Clip Black



ECO TRELLIS®  
Plug



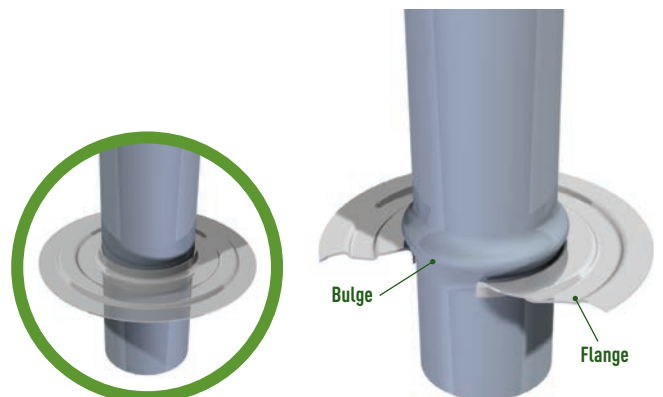
Rotalock  
Single Hook



Rotalock  
Self-Releasing KLIMA Clip Red

## Patented footing

A patented footing (bulge) at the base of the intermediate posts gives up to four times more retention than an alternative post. If the soils are undulating the ground retention (only if required) flange plate prevents lifting or sinking under the base of the post.







“ The KLIMA Cane-Pruner has halved our stripping-out costs and given our team more time to concentrate on making the cuts. The need for casual labor is now minimal. Using the KLIMA cane pruner has given us much more control in the vineyard which has led to better canopy management, increased yields and improved vine quality. ”

Matt Oliver VINEYARD MANAGER  
Huia Vineyards Limited, Marlborough, NZ

## ECO SLEEVE®

To allow current US trellising to be used with the KLIMA Cane Pruning System ECO TRELLIS® has developed the patented 'clamp-on' ECO SLEEVE®. This is compatible with US T-Posts. Premier crossarms available for other post systems.



RETROFIT WITH  
ECO SLEEVE®  
and Premier Crossarms

## ECO TRELLIS® AND KLIMA

KLIMA has developed, refined and now sells a highly efficient vineyard pruning system, consisting of a revolutionary machine which is mounted to a tractor or a harvester coupled with an extensive range of highly effective ECO TRELLIS® products, provides significant labor saving opportunities.

Today KLIMA pruning machines and ECO TRELLIS® products are used by the world's leading viticulturists in vineyards. KLIMA products are saving substantial dollars in vineyard labor costs.



For Super Stake

For Line Stake

For T-POST